

SUPERNET **700** SERIES **1000** SERIES

Navigation suite including state-of-the-art equipment
radar / plotter / videocamera

700

1000



1.4 feet - 2 or 4 kW



1.8 feet - 2 or 4 kW



4 - 6- 7.5 feet
4, 12 or 25 kW

- Integrated radar, plotter and videocamera
- Easy and straightforward operation of the functions available with a single button
- Backlit display for best visibility in every light conditions
- Several installation options due to its reduced dimensions

* with exclusion of the magnetron and front-end.



TouchScreen

Use of the radar through simple pressure of the fingertip on the screen.



SpeakVoice

Acoustic warning in dangerous situation, alarm and instructions.



Personal colors

Extended choice of colors for your pleasure.



Universal Mounting

Horizontal and vertical installation without need of mechanical modifications.



Ethernet LAN

Direct link between antenna and display and capability of interface with other onboard devices via ethernet LAN.



User friendly

Easy operation through the knob

DISPLAYS

Data Display Capabilities	Chartplotter, Radar, Echosounder
Display (LCD) size	6.5" or 10,4" Touch Screen
Display colors	256
Display resolution	640 x 480 pixels (VGA)
Display type	Transflective color TFT LCD
Interfaces	3 NMEA 0183, 1 auxiliary Ethernet LAN for connection GPS - AIS - ECHOSOUNDER - COMPASS - AUTOPILOT - SPEEDLOG
SpeakVoice	for warning, alarm and instructions
Mounting Methods	Table Top, console deeply integrated and roof mounting. Both vertical and horizontal presentation available, user selectable
MiniARPA	capability of manual/automatic acquisition and automatic tracking of 12 targets

ENVIRONMENTAL AND SUPPLY

Temperature (IEC 60945)	- 15°C to 55°C (display) - 25°C to 55°C (External Unit)
Enclosure	Waterproofing IPX5
Power Voltage	12 to 24 Vdc Radome - 24 Vdc Open antenna
Power consumption	< 70 W

INSTALLATION KIT

- Installation GEM cable 15 mt.
- Kit of ancillaries, installation and operator manual

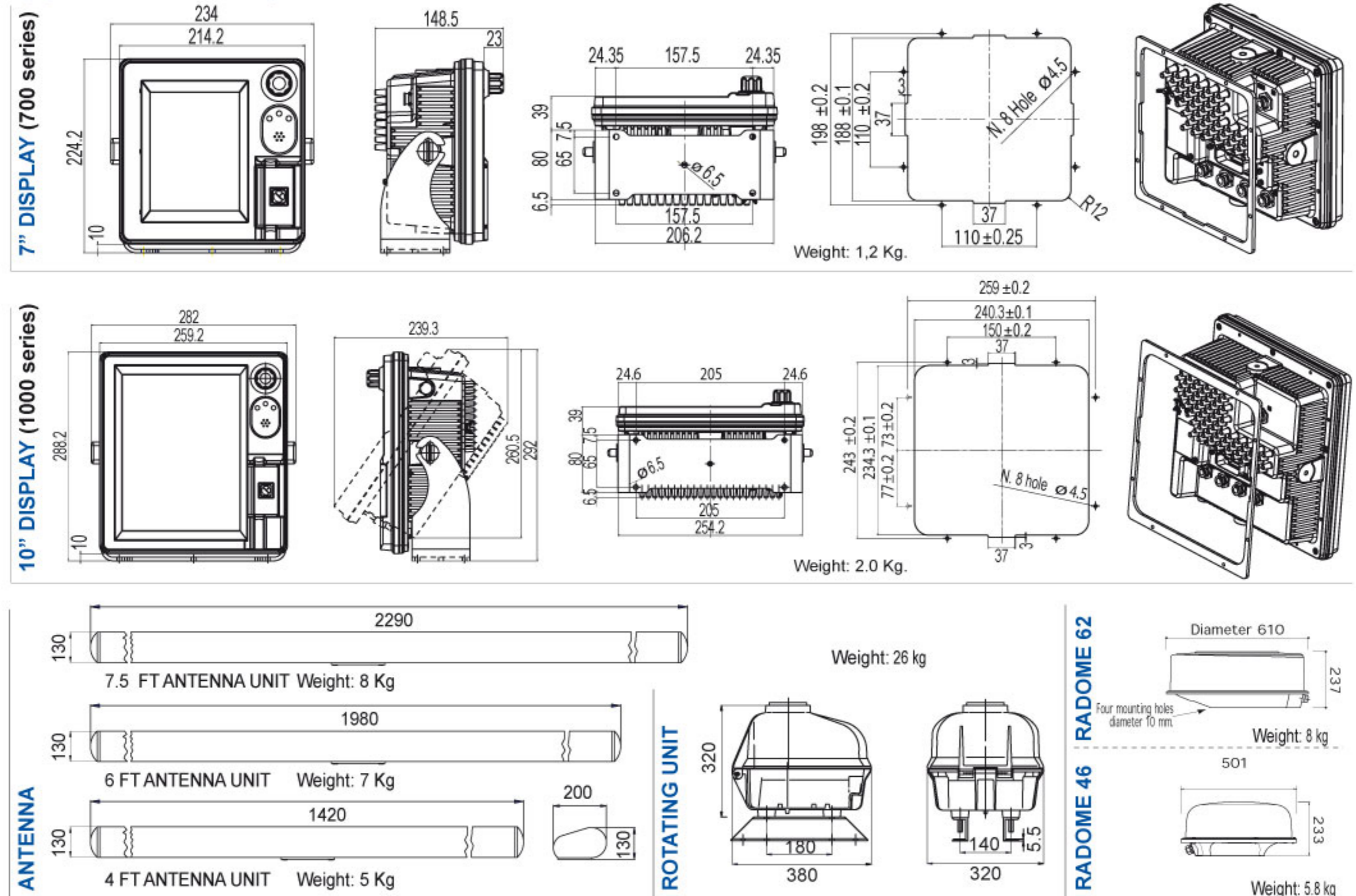
OPTION

- Remote waterproof Keyboard with 1,5 mt
- Remote waterproof Keyboard with 5 mt
- Remote waterproof Keyboard with 10 mt

ANTENNA	Radome 46	Radome 62	4 ft Array	6 ft Array	7.5 ft Array
Length	1.4 feet	1.8 feet	4 feet	6 feet	7.5 feet
Type	Microstrip Array		Slotted waveguide		
Frequency band	9410 ± 50 MHz.				
Polarization	Horizontal				
Horizontal beamwidth	5.2° ± 0.2°	3.8° ± 0.2°	1.8° ± 0.1°	1.2° ± 0.1°	1.05° ± 0.1°
Vertical beamwidth	22° ± 2°	22° ± 2°	22° ± 2°	22° ± 2°	22° ± 2°
Sidelobes within ± 10°	-19 dB	-19 dB	-26 dB	-26 dB	-26 dB
Sidelobes outside ± 10°	-21 dB	-21dB	-30 dB	-30 dB	-30 dB
Gain	≥ 19 dB	≥ 21 dBi	≥ 27dBi	≥ 29 dBi	≥ 30 dBi

TRANSCIVER UNIT	Radome		Open Array		
Peak power (nominal):	2 kW	4 kW	4 kW	12 kW	25 kW
Range scale:	36 nm	48 nm	64 nm	72 nm	96 nm
Radiation frequency:	9410 ± 30 MHz.				
Pulse Width:	50 nS	50 nS	50 nS	50 nS	80 nS
	80 nS	80 nS	200 nS	200 nS	200 nS
	300 nS	300 nS	400 nS	400 nS	400 nS
	800 nS	800 nS	800 nS	800 nS	800 nS
	(± 20nsec; for PW > 300nsec ± 10% tolerance)				
Pulse Repetition Frequency:	2600 Hz	2600 Hz	3200 Hz	3200 Hz	2000 Hz
	2100 Hz	2100 Hz	1600 Hz	1600 Hz	1000 Hz
	1200 Hz	1200 Hz	800 Hz	800 Hz	750 Hz
	600 Hz	600 Hz	500 Hz	500 Hz	500 Hz
	(with ± 5% tolerance – stagger function included)				
Transmitter type:	Magnetron				
Modulator:	fully solid state				
Receiver type:	logarithmic, fully solid state				
Dynamic range:	100 dB				
Intermediate Frequency (I.F.):	60 MHz ± 2 MHz				
I.F. bandwidth:	20 MHz with short and medium pulses 4 MHz with long and extralong pulses (with ± 10% tolerance)				
Noise Figure:	Nominal 3.5 dB				
Antenna rotation speed:	24/30 r.p.m. (radome) - 22 ± 2 r.p.m. (open array)				

OUTLINE DRAWING Dimensions in mm.



This brochure should not be considered a contractual offer to sell. The specifications given herein may be changed by the manufacturer, GEM elettronica S.r.l., without notice.