

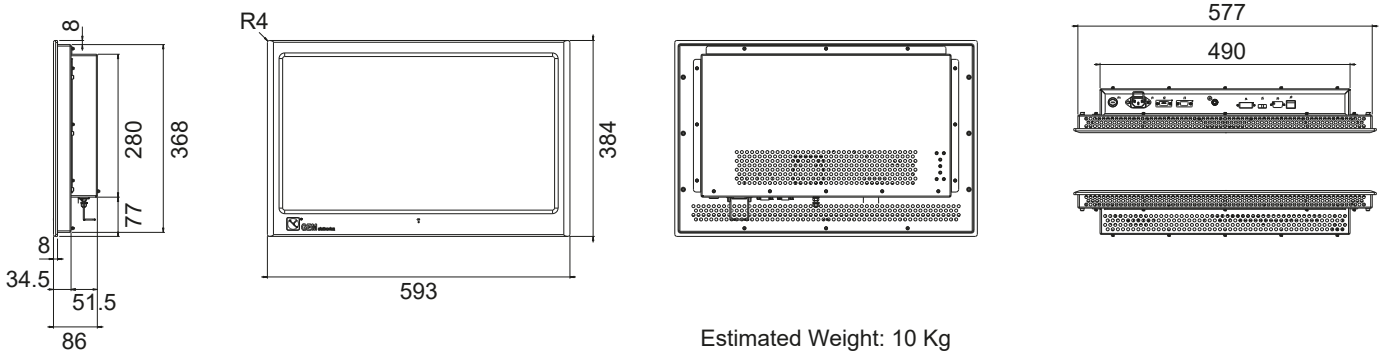
# 24 inches DISPLAY



Colour TV raster scan with day/night palettes, user friendly MMI and symbols and colours as per IMO/IHO recommendations.

## Specifications

Screen type	High-Resolution 24" LCD based on Si-TFT technology - Active Matrix
Screen dimensions	Diagonal 24.0 inches (609.7 mm) equivalent to 25" standard CRT
Pixel pitch	0.28 mm
Viewing angle	+/- 89° (horizontal) typical +/- 89° (horizontal) typical
Contrast ratio	3000
PPI size	280 mm
Pixel resolution	1920x1080 pixels
Video levels	16.7 M



**Surveillance & Security**    **Guidance, Navigation & Positioning**    **Military & Defence**    **Marine Electronics**

This brochure should not be considered a contractual offer. The specifications given herein may be changed by the manufacturer, GEM elettronica S.r.l., without notice.

