



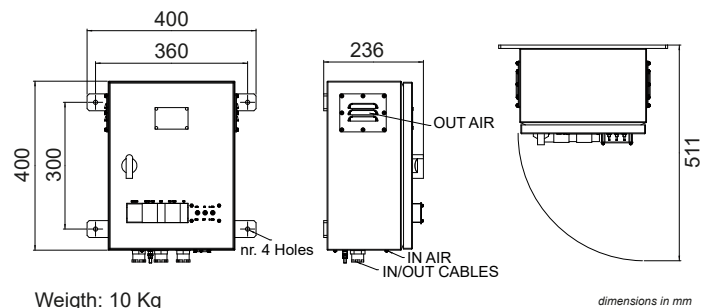
**GEM** elettronica

## ANTENNA SUPPLY UNIT: ASU-30000



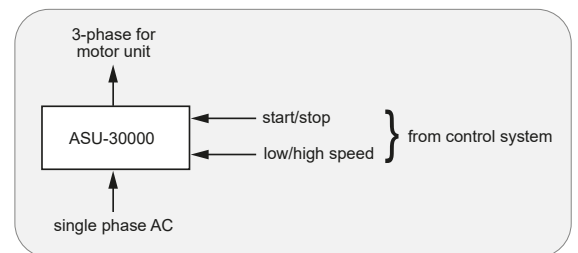
The ASU-30000 unit provides voltage and current output for motor unit of antenna series ASX-19xx. It converts input mains supply AC single phase to three-phase for motor supply, adjusting frequency to control rotation speed. The internal inverter is based on a vector control system, giving outstanding speed and torque performance and fast response.

The unit provides 2 contact closures for connection with external systems as programmable input to control start and stop of rotation and selection of rotation speed between two preprogrammed values.



### Main features:

- Input voltage single phase 200-240 VAC (-15%, +10%)
- Input frequency 47-63 Hz
- Three-phase output
- Rated motor capacity up to 1.5 kW (8A)
- Advanced autotuning
- Short-term overload capacity up to 200% for a full 3 seconds
- Improved torque/current limiting during start-up and deceleration
- Self-diagnostics for reliable operation
- Front panel for unit status and local manual control (ON/OFF, LOW/HIGH SPEED)
- Rugged enclosure for wall installation
- Environmental conditions compliant with IEC-60945, protected environment
- MTBF 250,000 h



© March 18, 2019

Surveillance & Security

Guidance, Navigation & Positioning

Military & Defence

Marine Electronics

This brochure should not be considered a contractual offer to sell. The specifications given herein may be changed by the manufacturer, GEM elettronica S.r.l., without notice.



**GEM** elettronica

marketing@gemrad.com www.gemrad.com

