



ECDIS

Electronic Chart Display & Information System

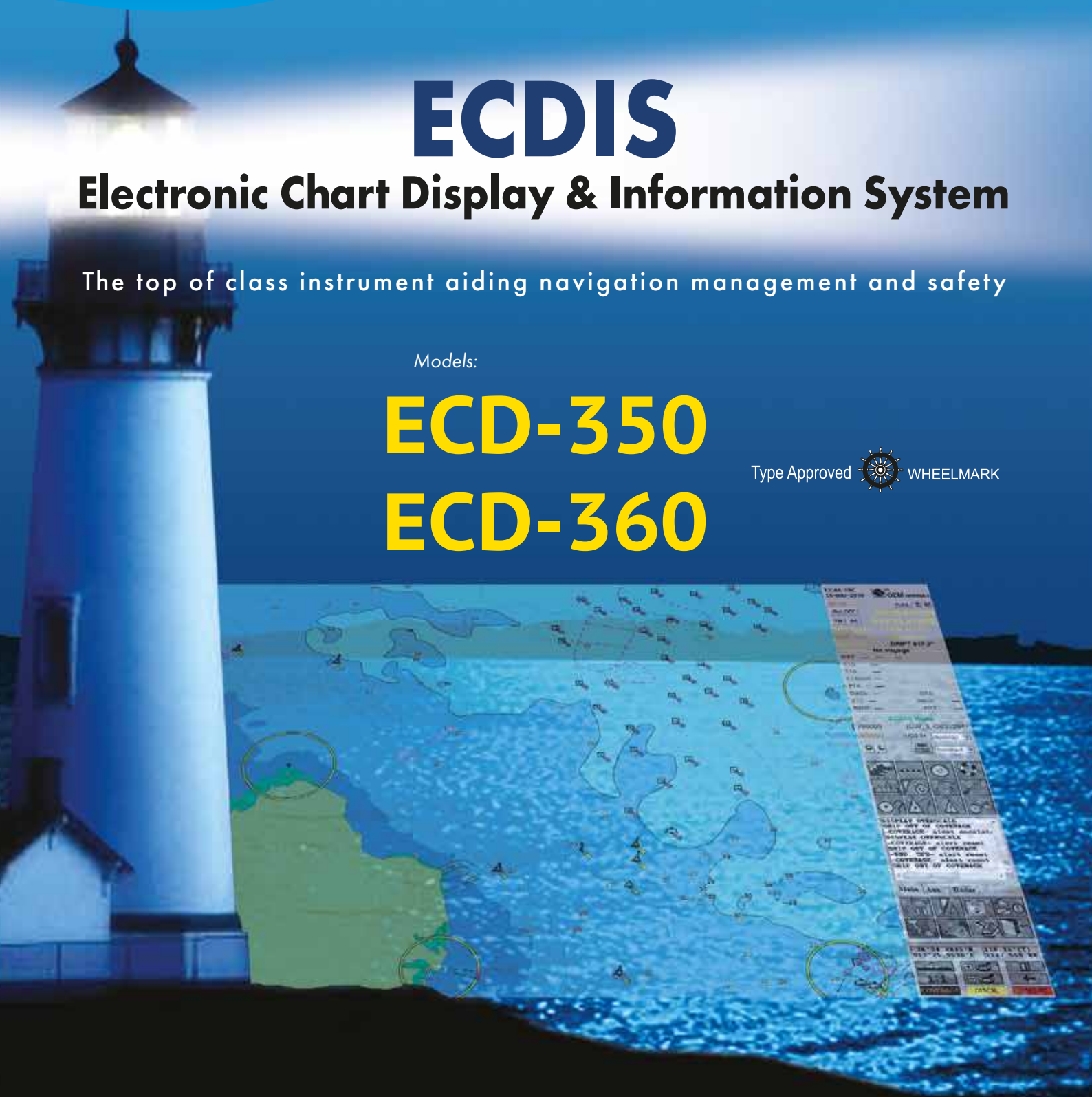
The top of class instrument aiding navigation management and safety

Models:

ECD-350

ECD-360

Type Approved  WHEELMARK



Performance:

IEC 61174 Ed. 4.0 (2015)

Environment:

IEC 60945 (2002)

Interfaces:

IEC 61162-1 / 2 Ed. 4 (2010)

Navigation information:

IEC 62288 (2014)

Presentation:

IHO S-52, Annex A, Edition 4.0.1

The ECDIS ECD-350 and ECD-360 are both type approved by DNV, having been tested according to the latest specifications of IMO, IHO and IEC; they have been adopted by the Italian Navy as well as other Navies in the world, professional vessel companies etc.



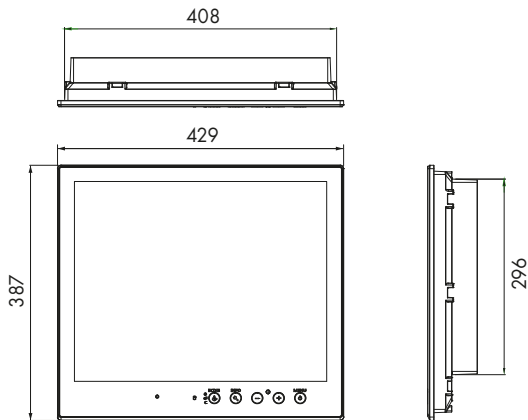
ECD-350

- Panel computer 19" with touch screen
- Keyboard [TST-902](#)



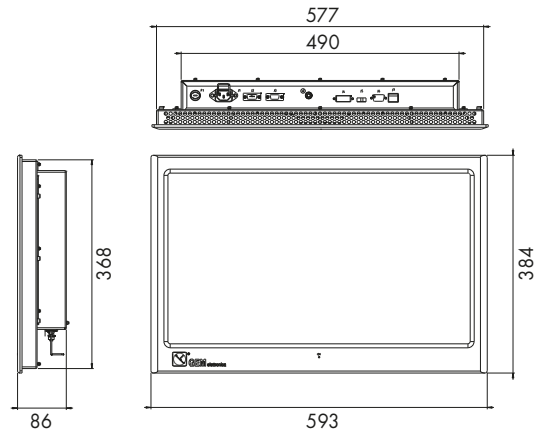
ECD-360

- Monitor 24" 16:9 [MLD-2400](#)
- Elaboration Unit [MCU-3102B](#)
- Keyboard [TST-902](#)



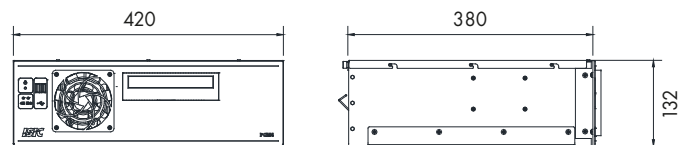
Panel computer 19"

Weight: 7.8 Kg.



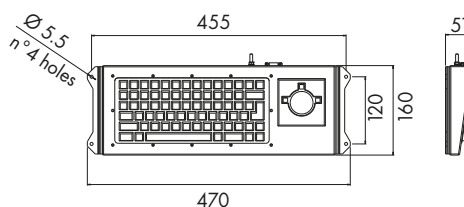
MLD-2400

Weight: 10 Kg.



MCU-3102B

Weight: 11 Kg.



TST-902

Weight: 1.4 Kg.

Dimensions in mm

Surveillance & Security

Guidance, Navigation & Positioning

Military & Defence

Marine Electronics

This brochure should not be considered a contractual offer. The specifications given herein may be changed by the manufacturer, GEM elettronica S.r.l., without notice.

