



## EOSS- 100/S

### ELECTRO-OPTICAL SURVEILLANCE SYSTEM

EOSS-100/S SYSTEM IS DESIGNED FOR H.24  
LONG-RANGE OPTICAL SURVEILLANCE.

#### FEATURES

- h 24 passive detection, designation, identification and tracking of surface and low-speed air targets
- Fully automatic search for reducing operator workload in target detection and acquisition tasks
- Stabilization against mast/infrastructure motion
- Can be remotely driven
- Optional eye-safe laser rangefinder can be integrated

#### APPLICATIONS

- Vessel Traffic System (VTS), Vessel Traffic Management & Information Systems (VTMIS)
- Coastal Surveillance & Security
- Homeland Security

## ORDERING INFORMATION

	Turret aspect and type of display	Optronic turret * (see note)	Stop system	TV camera: Type of detector	450 TVL color camera: Field of view	TV camera: lens and zoom ratio	Environmental conditions
EOSS-100/S	T-shape, 15" LCD	a) 2 MEMS gyros b) $\pm 40^\circ$ c) Nx360° d) 80°/s e) 0.4 mrad	Brakes	1/4" CCD	HFOV: Wide 57° Narr. 1.7°	3.4:122 mm 36x F1.6:F4.5	-10°C:+55°C ext 0°C:+50°C int

Note: Optronic turret: a) number of gyroscope - b) elevation sector - c) azimuth sector - d) slewing rate - e) stabilization accuracy

## SUPPLY COMPOSITION

- Electro-Optical stabilized Turret with TV and cooled IR cameras
- Rugged Motion Control Unit
- Installation kit
- Technical manual of the system in English language
- Certificate of conformance
- Packing list

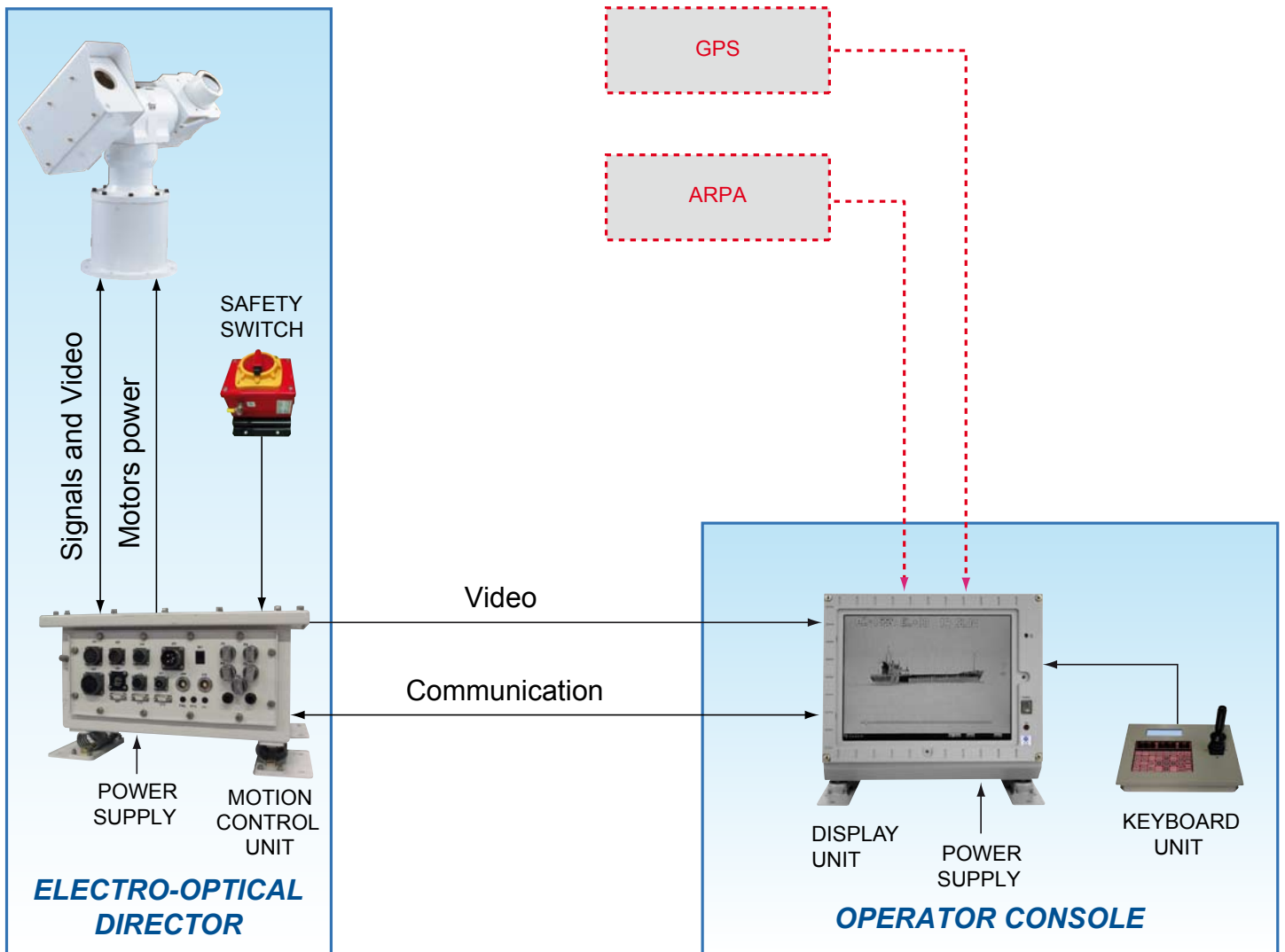
## OPTIONS

- Separate videotracker unit VTU-110 for closed-loop optronic tracking
- Depending on installation requirements, cable lengths are delivered in accordance with Buyer's instructions
- Customization versus specific requirements can be evaluated in terms of cost-effectiveness
- Operator desk consisting of:
  - display unit
  - Keyboard/joystick desk unit
- Eye-safe laser rangefinder on the payload



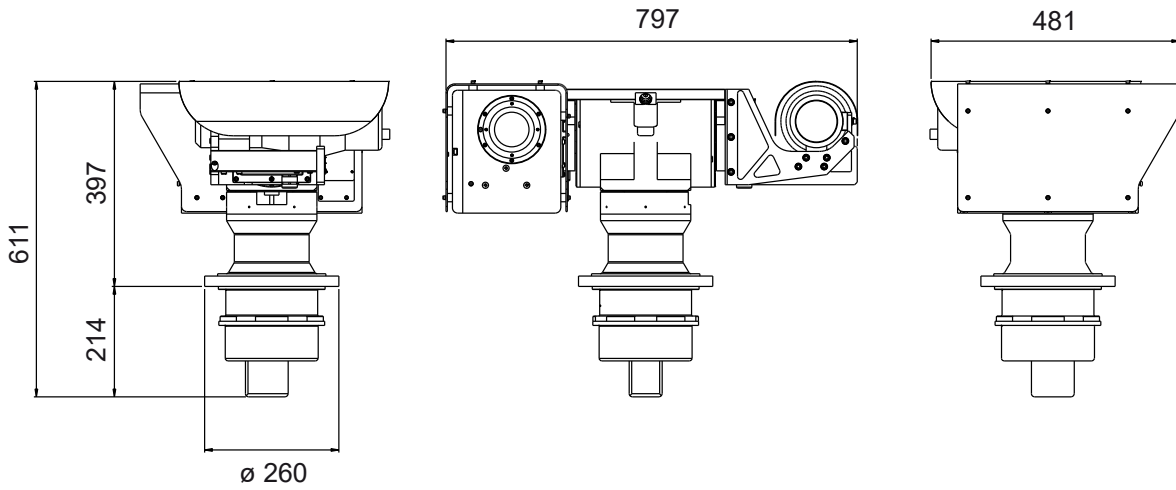
	<i>IR Detector, spectral bandwidth and resolution</i>	<i>IR camera HFOV</i>	<i>NETD</i>	<i>Video Tracker</i>	<i>Power absorption</i>	<i>Interfaces to the external world</i>
EOSS-100/S	Cooled, InSb 3-5 micron 320x240	Wide 11° Narr. 2.2°	< 30mk	Option	at 220 Vac, 50Hz, one phase, 1000 VA peak	RS-422

GENERAL DIAGRAM OF CONNECTION



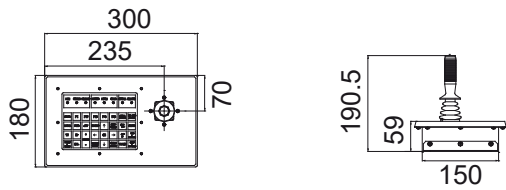
OUTLINE

EOSS-100/S



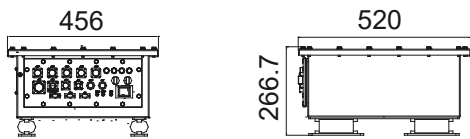
Weight: 81 Kg

Keyboard



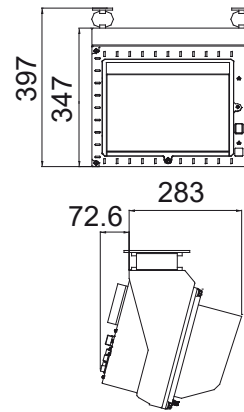
Weight: 2 Kg

Control unit



Weight: 20 Kg

Display



Weight: 12 Kg

Surveillance & Security

Guidance, Navigation & Positioning

Military & Defence

Marine Electronics

This brochure should not be considered a contractual offer to sell. The specifications given herein may be changed by the manufacturer, GEM elettronica S.r.l., without notice.



**GEM** elettronica

marketing@gemrad.com www.gemrad.com

