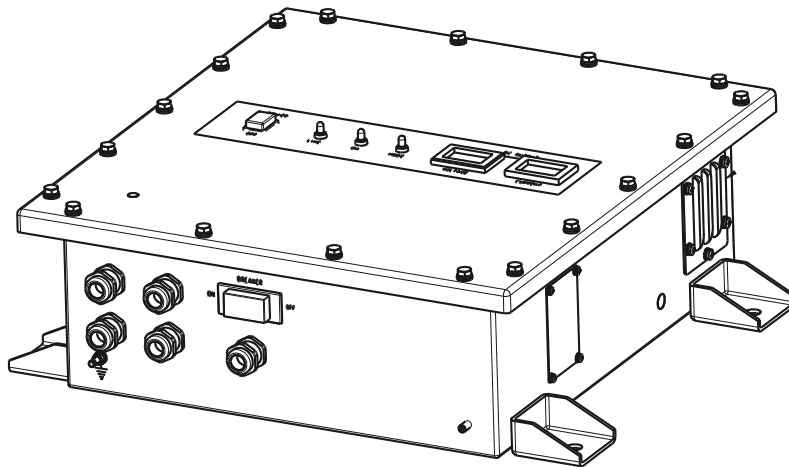
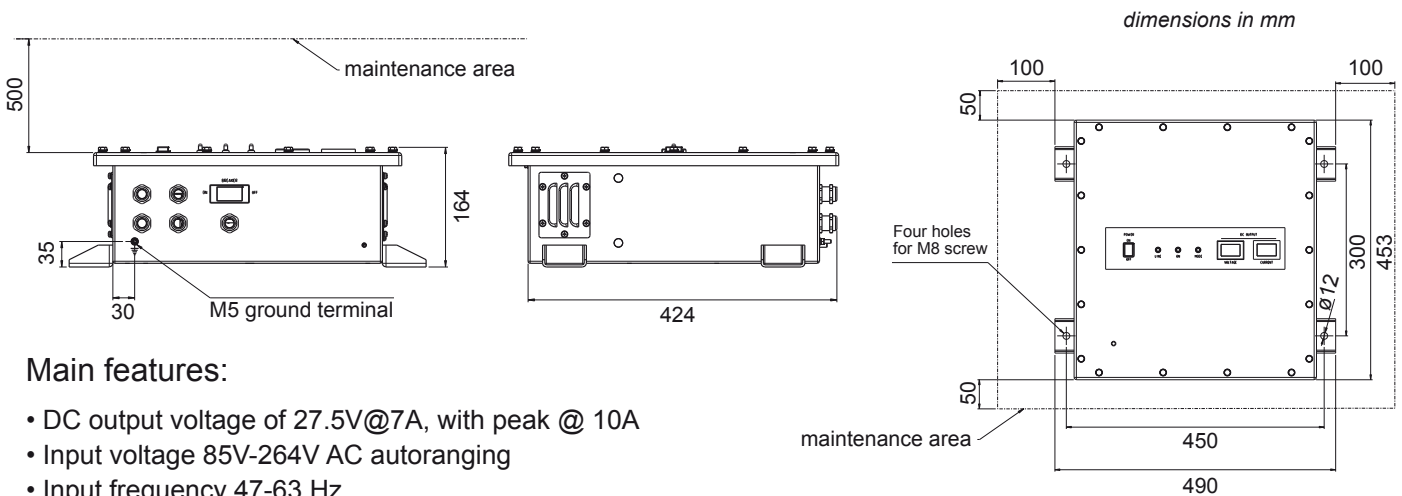


200W AC/DC UPS: model **IU80-30**



The IU80-30 unit provides 27 VDC output, internally battery backed for uninterrupted power supply. DC voltage is generated from AC voltage input. Battery size guarantees more than 1 hour of power supply output in case of input mains loss. It also provides continuous monitor of output voltage and current.



Main features:

- DC output voltage of 27.5V@7A, with peak @ 10A
- Input voltage 85V-264V AC autoranging
- Input frequency 47-63 Hz
- Input fusing T6.3A
- Inrush current <20A peak cold start
- Efficiency up to 85%
- Line regulation < 0.5%
- Load regulation < 1%
- Overload protection 320W (nominal)
- Overvoltage protection exceeding 32V
- Intelligent battery charging
- n.2 maintenance free sealed batteries (VRLA)
- Front panel for unit status (LEDs) and output voltage and current monitoring (analogue meters)
- Rugged enclosure for wall installation
- Environmental conditions compliant with IEC-60945, protected environment

Weight: 19 Kg

This brochure should not be considered a contractual offer to sell. The specifications given herein may be changed by the manufacturer, GEM elettronica S.r.l., without notice.