



Sea Eagle-50/RD

Fully Solid State, pulse compression, coherent radar



General Features

- Doppler processing
- Adaptive STC
- Software Defined Functionality
- Integrated BITE system
- Specially designed for High Speed Craft applications

Sea Eagle-50 belongs to a new generation of solid state radar specially designed for naval applications. The radar sensor is a pulse compressed X-band transceiver. Lower power selections together with special waveform combination allow the radar to see without being seen. Moreover a sophisticated anti clutter rejection achieved by using video and Doppler processing is an embedded feature for the detection of small targets.

SeaEagle-50/RD

FULLY SOLID STATE RADAR

• Frequencies	Programmable within 9300÷9500 MHz
• Transmission Power	50 W (Peak)
• Sector Blanking	User defined – up to 10
• Periodic Maintenance	Not necessary due to absence of limited life parts (e.g. magnetron)

RECEIVER

• Sensitivity	< -122dbm
• OverAll Noise Figure	< 5.5dB
• Dynamic Range	100 dB
• Receiver Bandwidth	20 MHz
• Converter (at IF)	Dual 16 bit ADC

Range Scale

Range (NM)	0.0625	0.125	0.25	0.5	0.75	1.5	3	6	12	24	48
RI (NM)	0.03125	0.0625	0.125	0.125	0.125	0.25	0.5	1	2	4	8
Number of rings	2		4		6						

ENVIRONMENTAL FEATURES

• Operating temperature	-25° C ÷ +55° C
• Storage temperature	-30° C ÷ +70° C
• Damp heat	93% relative humidity @ 40°C
• Salt Fog	According to MIL-STD-810G (meth. 509.5)
• Vibrations	According to MIL-STD-167-1A, type I
• Shock	30g – 11ms According to MIL-STD-810G (meth. 516.6)
• EMC / EMI	According to MIL-STD-461

TRACKER

• ARPA targets	Up to 200
----------------	-----------

ANTENNA SYSTEMS

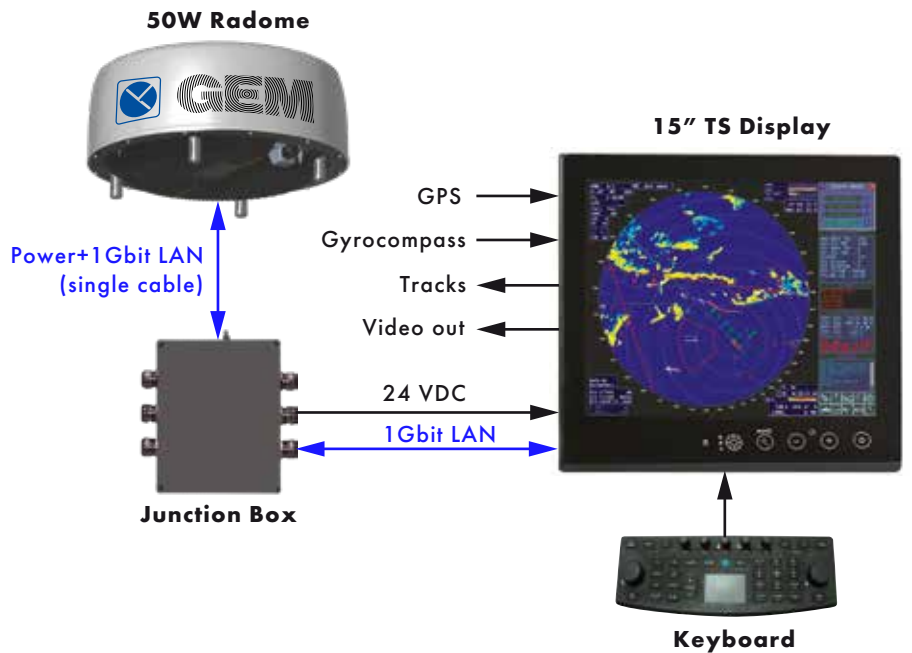
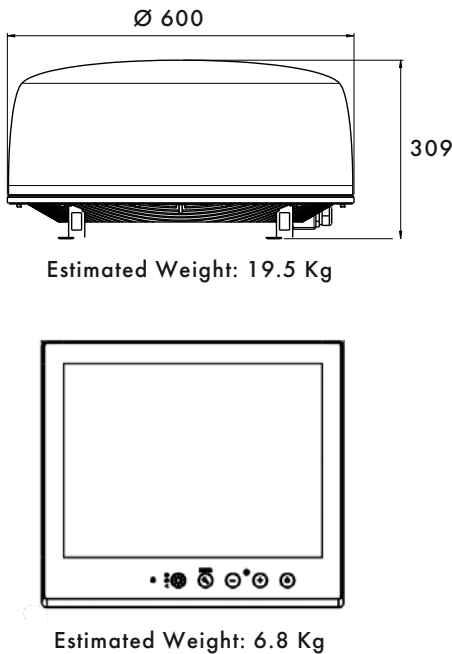
• Type	Micro strip patch array
• Azimuth Main Beam	≤ 4°
• Elevation Main Beam	≤ 25°
• Rotating Rate	22 RPM

DISPLAY

• 15" color touchscreen panel pc
• Radar Keyboard

INTERFACES

• Ethernet, RS232, RS422
• ASCII, NMEA
• Radar video distribution via Wi-Fi link (optional)



Surveillance & Security

Guidance, Navigation & Positioning

Military & Defence

Marine Electronics

This brochure should not be considered a contractual offer. The specifications given herein may be changed by the manufacturer, GEM elettronica S.r.l., without notice.

