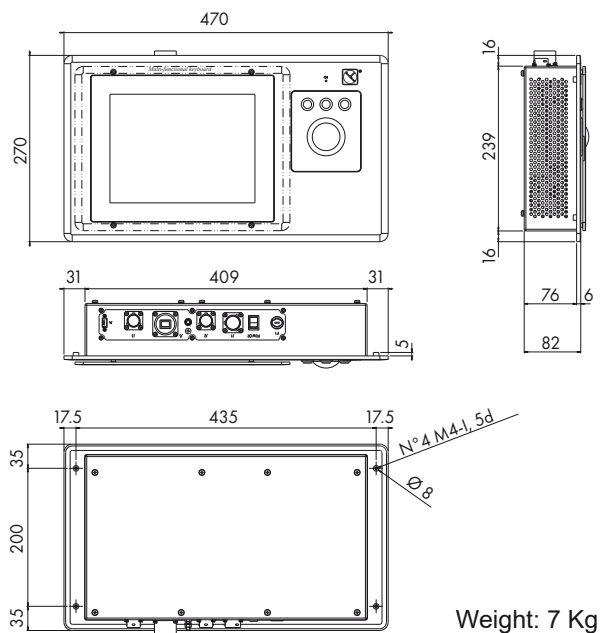
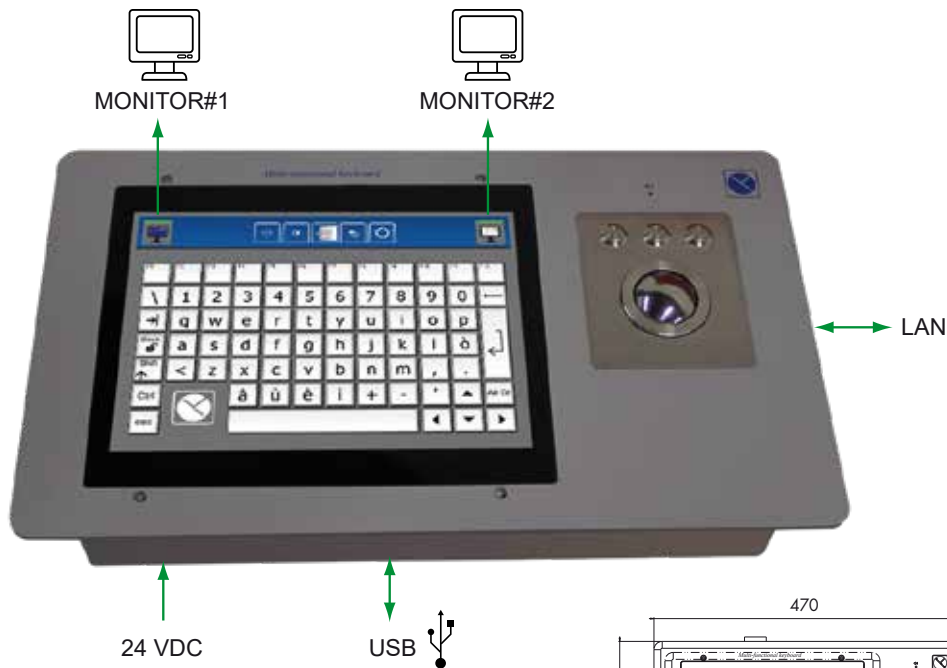




**GEM elettronica**

# MULTI-FUNCTIONAL KEYBOARD series **MFK-200**



Weight: 7 Kg

### Main features:

- 10" SVGA LED LCD colour display
- projective touch-screen (bonded on display for better luminance and clarity)
- single board computer equipped with Windows 7 Embedded
- 2" steel trackball with 3 buttons for mouse emulation
- buzzer for operator alert
- n.1 10/100 MB Ethernet port for connection with IBS LAN
- n.2 dedicated serial lines for console monitor settings
- n.1 USB port
- 24VDC supply, consumption less than 1A
- rugged enclosure for panel mount or desktop installation
- protection grade IP65 (front side)

Multifunctional keyboard series MFK-200 is a new design, developed by GEM elettronica, to be used into Integrated Bridge System (IBS) state-of-art architectures. It works as main input device for multi-functional consoles: it has a touch-screen device for QWERTY emulation, and a trackball with 3 buttons for cursor control. Many different layouts are selectable by operator in real-time: QWERTY, application specific softkey layouts (ARPA, ECDIS, Command and Control, etc.). It is also able to control up to 2 console monitor settings (brightness and contrast) by dedicated serial lines. The connection with console processor is based on a Ethernet link: cursor commands (movement and buttons) and soft-key activations are transmitted as network messages, and captured by a Windows special driver (supplied by GEM) installed on the processor that converts those messages into standard operating system events in order to be used by any host application. It also supports multiple multi-functional console architectures, and, as a special feature, it can remotely command a video matrix, if present in the IBS architecture.

Surveillance & Security

Guidance, Navigation & Positioning

Military & Defence

Marine Electronics

This brochure should not be considered a contractual offer to sell. The specifications given herein may be changed by the manufacturer, GEM elettronica S.r.l., without notice.



**GEM elettronica**

marketing@gemrad.com www.gemrad.com

