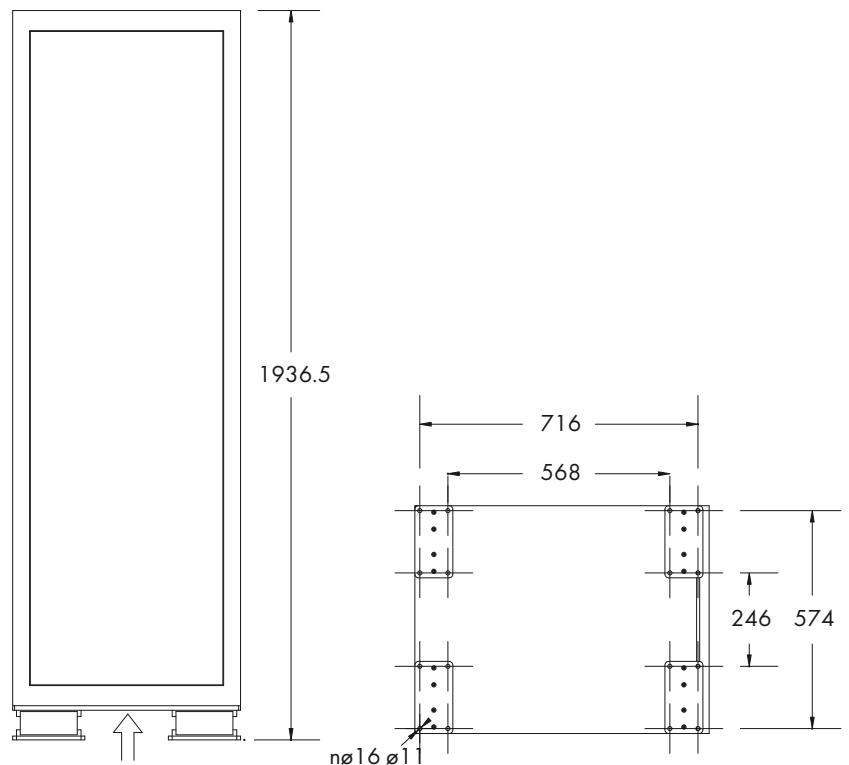




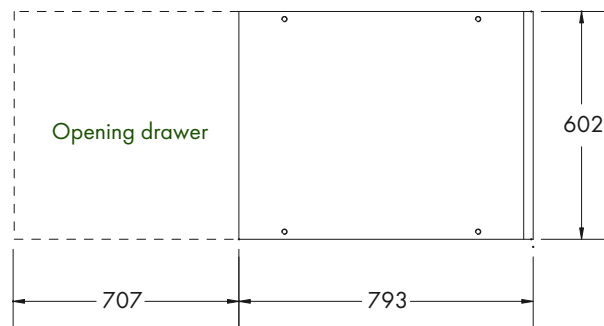
# Computer Unit

## Hub

- System server (redundant),
- Oil spill detection server
- Ups/power supply
- N.3 workstations.



Wires in leth



Weight: 350 Kg

Surveillance & Security

Guidance, Navigation & Positioning

Military & Defence

Marine Electronics

This brochure should not be considered a contractual offer. The specifications given herein may be changed by the manufacturer, GEM elettronica S.r.l., without notice.

