



SuperNet **SSR**



The **SuperNet SSR radar family** provide a high level of detection and very clear echo images. Specially designed for the commercial marine sector, the SuperNet SSR uses the availability of new solid state technology and high speed processor that enable a high definition and discrimination of the targets, using a compact and light antennas.



DOPPLER



UHD



e-DAR



AUTO



E-TARGET
VIEWER



ETHERNET
PLUG & PLAY

The **SSR** rising technology



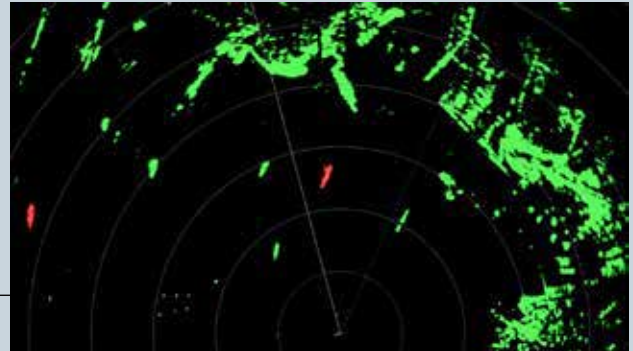
Doppler echo-filtering Technology



The SuperNet SSR family is the first of a new generation of Solid State radar especially studied for the Marine Electronics sector. Thanks to the Doppler technology these radars are able to clearly identify moving targets. The e-Target Viewer give us the possibility to distinguish fixed target or moving targets away from our vessel from the moving targets toward our vessel.

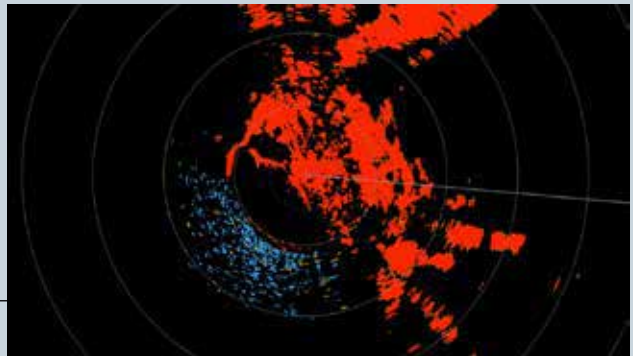
e-Target Viewer:

Identify moving targets in red color and fixed or moving away from our vessel targets in green color.



Rain Mode:

by selecting Rain mode "ON" the rain echo will be shown on the screen in blue color.



Target Tracking function

In the **SuperNet SSR** it has been added the Target Tracking option. This it has been possible thanks to the experience developed over the years in device for automatic tracking of the targets acquired. The Target Tracking mode work by combining the Doppler info and in case of a red target becomes a potentially dangerous it triggers a signal alarm.

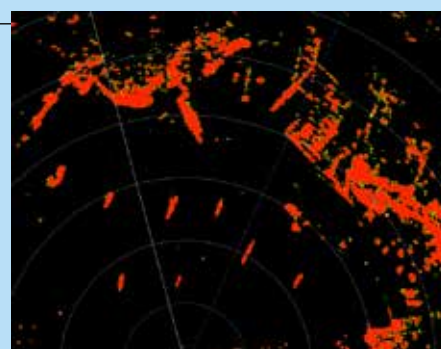
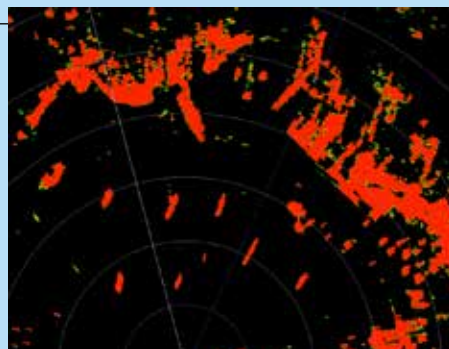


SSR

- **Solid-State pulse compression Doppler Radar**
- Enhanced Target Viewer function able to clearly identify moving targets
- Target tracking function
- Special processing for enhanced Digital Azimuth resolution e-DAR
- Easy installation

e-DAR Processing

Special processing has been studied in order to significantly improve the Digital Azimuth Resolution. The **e-DAR** gives an image clear and detailed with less clutter than a traditional radar.





MODEL	SU82-05S	SU78-05S	SU78-010S	SU78-020S
Transmitter Type	Pulse compression, Solid state power Amplifier			
Transmitting frequency	X band, 9380-9440, 3 channel, auto/manual selectable Channel 1 P0N 9380 Mhz Q0N 9400 Mhz Channel 2 P0N 9400 Mhz Q0N 9420 Mhz Channel 3 P0N 9420 Mhz Q0N 9440 Mhz			
Transmitting power	50 W	50 W	100 W	200 W
Antenna Type	Radome 24"	Open Array		
Antenna length	2 ft	4 ft (AU11-04N) / 6ft (AU11-06N)		
Polarization	Horizontal			
Beam width	H 3.9°, V 25°	H 1.9°, V 22° / H 1.2°, V 22°		
Antenna rotation speed	24 rpm fixed or 24/36/48 range coupled			
Motor	Brushless			
Pulse width	(P0N) 0.08-1.2 μs (Q0N) 6-25 μs	(P0N) 0.04-1.2 μs (Q0N) 6-25 μs		
PRF	1100 Hz	700-2000 Hz		
Range Scale	0.0625 - 48 NM	0.0625 - 72 NM	0.0625 - 96 NM	
Minimum range	20 mt	10 mt		
Range resolution	20 mt	10 mt		
Range accuracy	1% of range in use or 10 mt, whichever is the greater			
Bearing accuracy	±1°			

INTERFACE

- Number of ports LAN: 1 port, Ethernet, 100 Base-TX, RJ45
- Data sentences IEC61162-1/2
- Input GGA, GLL, GNS, HDG, HDM, HDT, RMA, RMC, THS, VHW, VTG

POWER SUPPLY

- Radome: 12/24 VDC, 2.5 - 1.3 A
- Open Array: 12/24 VDC, 9.5/5.0 A max.

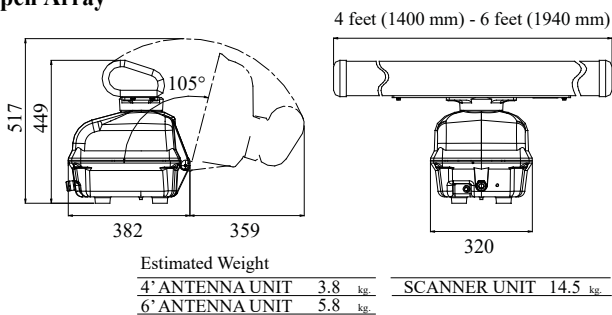
ENVIRONMENTAL CONDITIONS

- Ambient temperature -25°C to +55°C (storage: -30°C to +70°C)
- Relative humidity Radome: 95% or less at +40°C
Open Array: 95% or less at +40°C
- Degree of protection Radome: IP56
Open Array: IP26
- Vibration IEC 60945 Ed.4

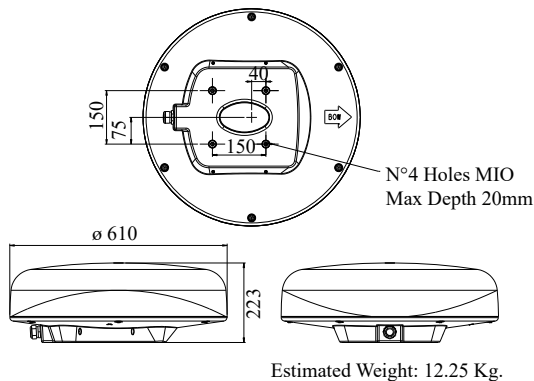
EQUIPMENT LIST

- Radome
 - Standard Scanner Unit
Installation Materials
Spare parts
 - Option Radome Mount
LAN cable 2/5/10 m

Open Array



Radome



Open Array

- Standard Scanner Unit (RSB-137-119)
Radiator, Installation Materials
Spare parts
- Option LAN cable 2/5/10 m

