



ELECTRO-OPTICAL SURVEILLANCE SYSTEM

DESIGNED FOR H.24 OPTRONIC SURVEILLANCE
ESPECIALLY FOR SECURITY APPLICATIONS.

SUPPLY COMPOSITION

- Electro-Optical stabilized Turret with:
 - MWIR thermal imager
 - Full HD Day Light / Low Light camera
 - Laser rangefinder
- Rugged Motion Control Unit
- Installation kit
- Technical manual of the system in English language
- Certificate of conformance
- Packing list

FEATURES

- MWIR camera and Day Light / Low Light cameras
- Image blending: Blending between IR and Daylight camera
- Image functions: freeze frame, Picture in Picture, split screen



Dynamic features

Control angle:
 Azimuth: Continuous N x 360° (with slip-ring)
 Elevation: -30° to 60°
 Slewing Velocity: ≥ 120°/s
 Stabilization error: better than 50 µrad

MWIR thermal imager

Spectral waveband: 3-5 µm
 Pixel pitch: 15 µm
 Wide Field of View: 35.5°
 Narrow Field of view: 1.8°
 Detector type: Cooled InSb
 Resolution: 640x512 pixel
 NETD (sensitivity): < 16 mK (without lens)
 Video output: PAL
 STANAG 4347 DETECTION: 2.3x2.3m target > 14 km;
 human 1m² target > 8 km

Day Light / Low Light Camera

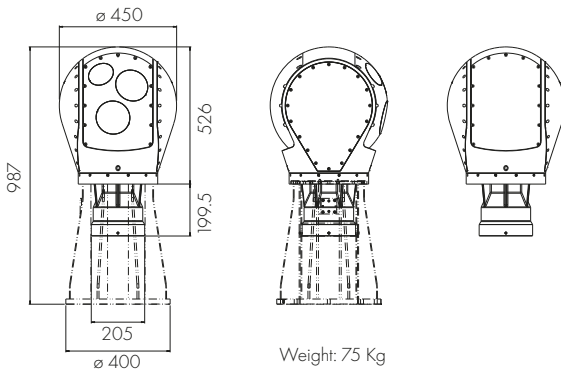
Type: colour 1/1.9" CMOS sensor
 Optical zoom: ≥ 9x
 Max aperture ratio: 1:1.6
 Video resolution: 1920(H) x 1080(V), 2.07 Mpixel approx
 Field of view (H): NFOV: ≤ 3°
 WFOV: ≥ 22°
 Sensor gain: automatic / manual
 S/N ratio: 50 dB (rms) or better
 Day/night mode: selectable in auto / manual mode
 Minimum illumination: Colour mode: 0.05 lux@F1,2
 B/W mode: 0.01 lux@F1,2

Laser Range Finder

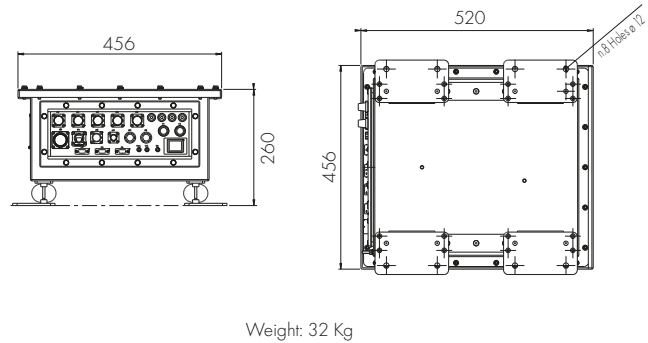
Transmitter type: flashlamp pumped Nd:YAG laser
 Wavelength: 1.54 µm, eyesafe (Class 1), linear polarization
 Receiver type: APD photo diode based type
 Beam divergence: 0.35 ± 0.1 mrad
 Receiver FOV: 1 ± 0.1 mrad
 Measuring range: from 50 m to 12000 m
 Measuring accuracy: +/- 5 m

Dimensions in mm

Electro-Optical Turret

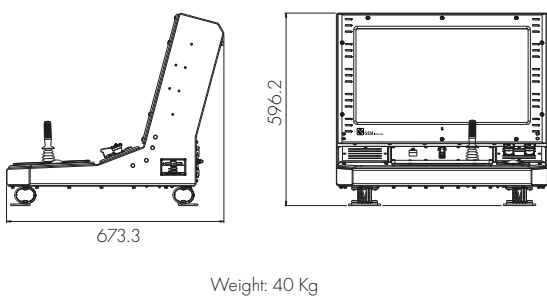


Motion Control unit

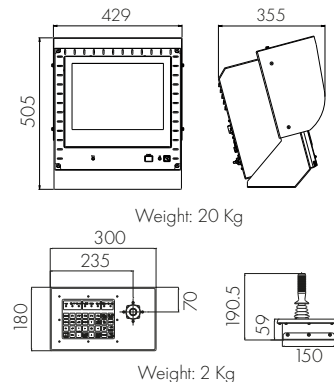


Available Console Configurations

24" console



15" display



Safety Switch

