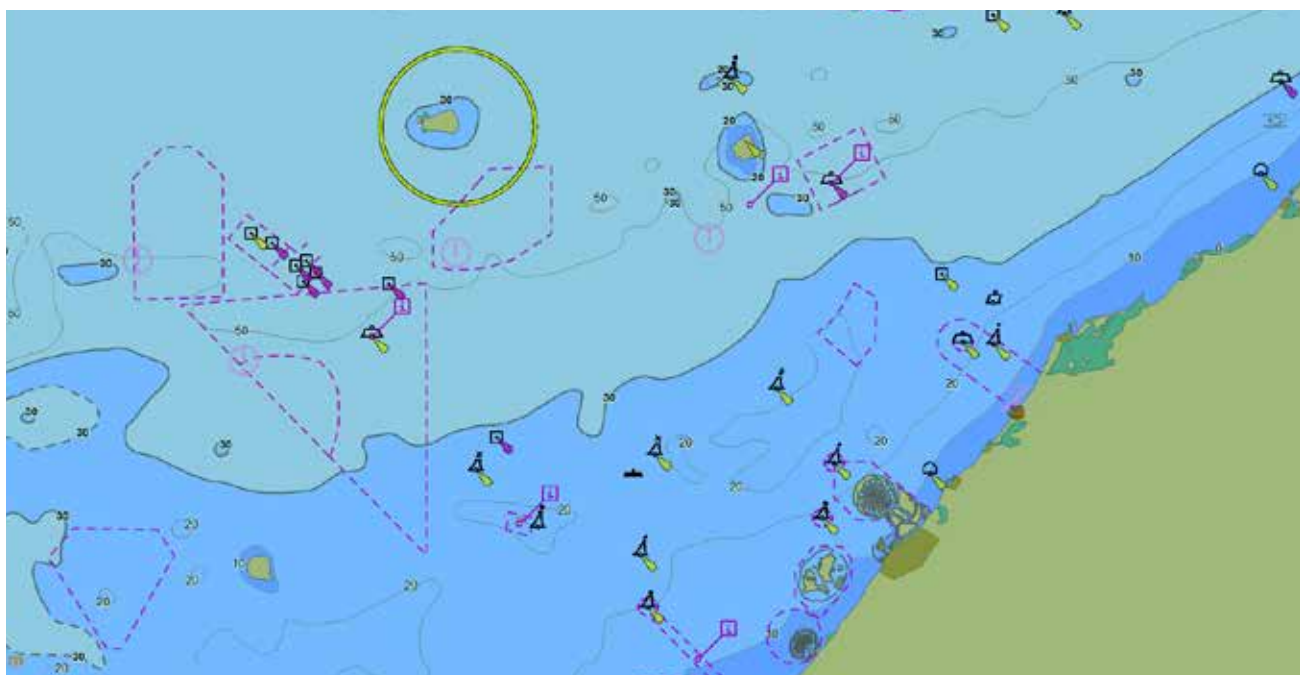




## ELECTRONIC CHART DISPLAY & INFORMATION SYSTEM

The top of class instrument aiding navigation management and safety



Performance:	IEC 61174 Ed. 4.0 (2015)
Environment:	IEC 60945 (2002)
Interfaces:	IEC 61162-1/2 Ed. 4 (2010)
Navigation information:	IEC 62288 (2014)
Presentation:	IHO S-52, Annex A, Edition 4.0.1

Type Approved  WHEELMARK



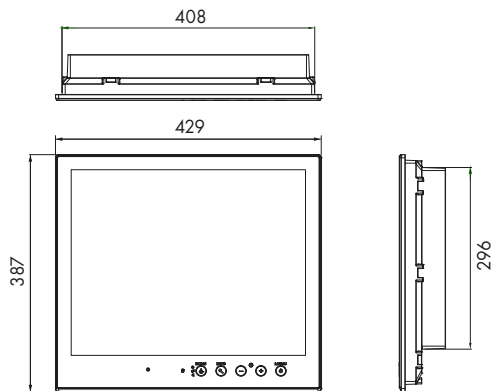
# ECD-350/ECD-360

The ECDIS ECD-350 and ECD-360 are both type approved by DNV, having been tested according to the latest specifications of IMO, IHO and IEC; they have been adopted by the Italian Navy as well as other Navies in the world, professional vessel companies etc.



## ECD-350

- Panel computer 19" with touch screen
- Keyboard TST-902



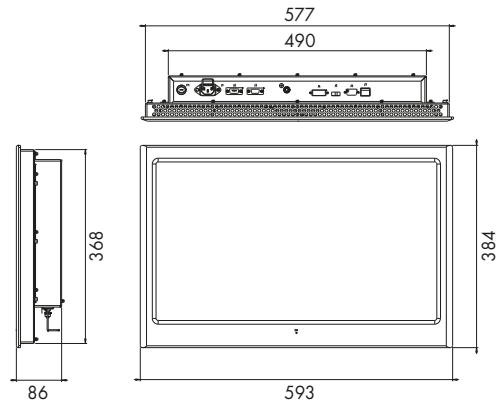
Panel computer 19" touch screen

Weight: 7.8 Kg.



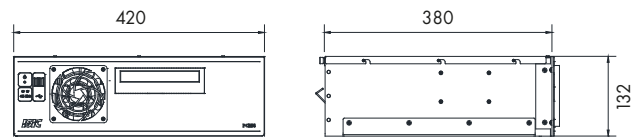
## ECD-360

- Monitor 24" 16:9 MLD-2400
- Elaboration Unit MCU-3102B
- Keyboard TST-902



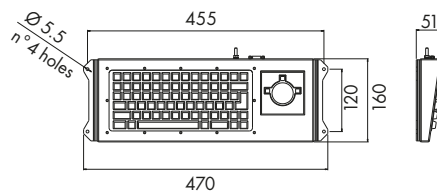
MLD-2400

Weight: 10 Kg.



MCU-3102B

Weight: 11 Kg.



TST-902

Weight: 1.4 Kg.

Dimensions in mm

