



ELECTRO-OPTICAL SURVEILLANCE SYSTEM

DESIGNED FOR H.24 OPTRONIC SURVEILLANCE
ESPECIALLY FOR SECURITY APPLICATIONS.

SUPPLY COMPOSITION

- Electro-Optical stabilized Turret with:
 - MWIR thermal imager
 - Full HD Day Light / Low Light camera
- Rugged Power Supply Unit
- Installation kit
- Technical manual of the system in English language
- Certificate of conformance
- Packing list



FEATURES

- MWIR camera and Day Light / Low Light cameras
- Image blending: Blending between IR and Daylight camera
- Image functions: freeze frame, Picture in Picture, split screen



EOSS-450

Dynamic features

Control angle:
 Azimuth: Continuous N x 360° (with slip-ring)
 Elevation: -30° to 60°
 Slewing Velocity: ≥ 120°/s
 Stabilization error: better than 50 μrad

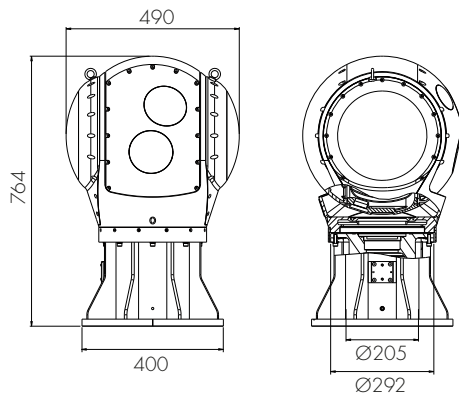
MWIR thermal imager

Spectral waveband: 3-5 μm
 Pixel pitch: 15 μm
 Wide Field of View: 35.5°
 Narrow Field of view: 1.8°
 Detector type: Cooled InSb
 Resolution: 640x512 pixel
 NETD (sensitivity): < 16 mK (without lens)
 Video output: PAL
 STANAG 4347 DETECTION: 2.3x2.3m target > 14 km;
 human 1m² target > 8 km

Day Light / Low Light Camera

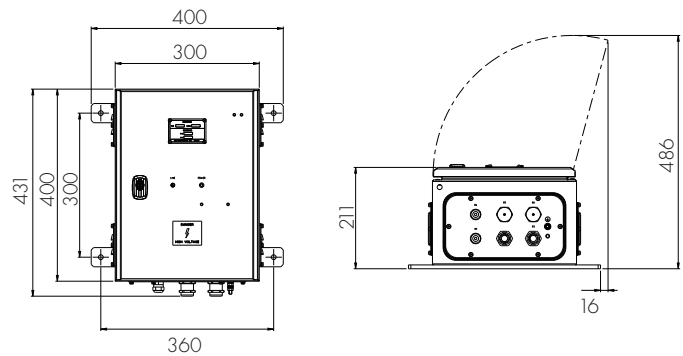
Image sensor: 1/1.8" 3M Pixel type lens
 Optical zoom: 31 x
 Max aperture ratio: Wide: F 1.55, Tele: F 4.80
 Number of pixels: 2064(H) x 1554(V)
 Pixel Size: 3.45 μm(H) x 3.45 μm(V)
 Scanning System: Progressive scan (Full HD:25/30/50/60 fps)
 Field of view (H): Wide (x1) 59.6°
 Tele (x31) 2.1°
 Focus: Auto focus
 Focus range: Wide side 1.5 m ~ ∞
 Tele side 1.5 m ~ ∞
 S/N ratio: 50 dB (rms) or better

Electro-Optical Turret



Weight: 80 Kg

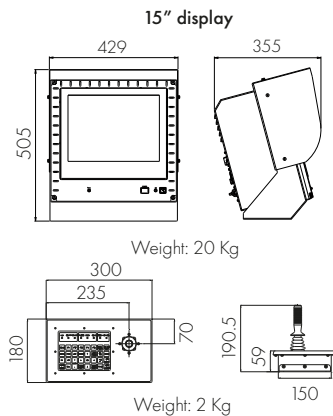
Power Supply Unit



Dimensions in mm

Weight: 11 Kg

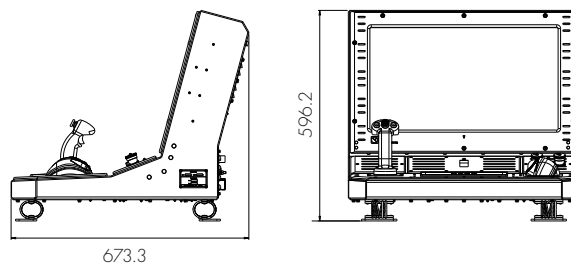
Available Console Configurations



Weight: 20 Kg

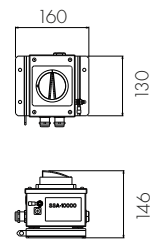
Weight: 2 Kg

24" console



Weight: 44 Kg

Safety Switch



Weight: 1.5 Kg

