



ELECTRO-OPTICAL SURVEILLANCE SYSTEM

DESIGNED FOR H.24 OPTRONIC SURVEILLANCE
ESPECIALLY FOR SECURITY APPLICATIONS.

SUPPLY COMPOSITION

- Electro-Optical stabilized Turret with:
 - MWIR thermal imager
 - Full HD Day Light / Low Light camera
 - Laser rangefinder
- Rugged Power Supply Unit
- Installation kit
- Technical manual of the system in English language
- Certificate of conformance
- Packing list



FEATURES

- MWIR camera and Day Light / Low Light cameras
- Image blending: Blending between IR and Daylight camera
- Image functions: freeze frame, Picture in Picture, split screen



Dynamic features

Control angle:
 Azimuth: Continuous N x 360° (with slip-ring)
 Elevation: -30° to 60°
 Slewing Velocity: ≥ 120°/s
 Stabilization error: better than 50 μrad

MWIR thermal imager

Spectral waveband	3-5 μm
Pixel pitch	15 μm
Wide Field of View	35.5°
Narrow Field of view	1.8°
Detector type	Cooled InSb
Resolution	640x512 pixel
NETD (sensitivity)	< 16 mK (without lens)
Video output	PAL
STANAG 4347 DETECTION	2.3x2.3m target > 14 km; human 1m ² target > 8 km

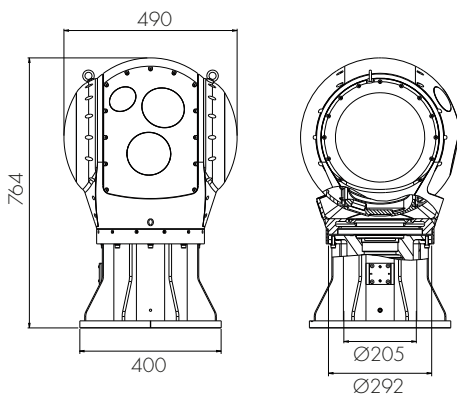
Day Light / Low Light Camera

Image sensor:	1/1.8" 3M Pixel type lens
Optical zoom:	31 x
Max aperture ratio:	Wide: F 1.55, Tele: F 4.80
Number of pixels:	2064(H) x 1554(V)
Pixel Size:	3.45 μm(H) x 3.45 μm(V)
Scanning System	Progressive scan (Full HD:25/30/50/60 fps)
Field of view (H):	Wide (x1) 59.6° Tele (x31) 2.1°
Focus:	Auto focus
Focus range:	Wide side 1.5 m ~ ∞ Tele side 1.5 m ~ ∞
S/N ratio:	50 dB (rms) or better

Laser Range Finder

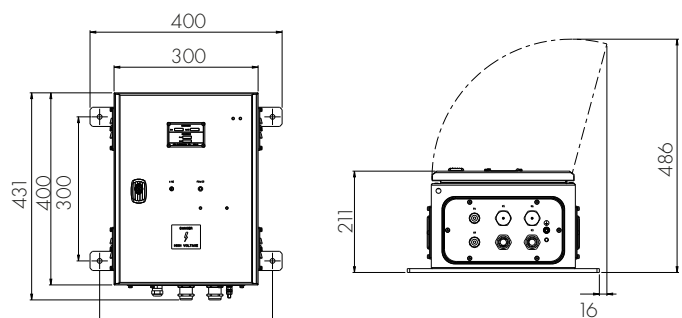
Transmitter type:	flashlamp pumped Nd:YAG laser
Wavelength:	1.54 μm, eyesafe (Class 1), linear polarization
Receiver type:	APD photo diode based type
Beam divergence :	0.35 ± 0.1 mrad
Receiver FOV:	1 ± 0.1 mrad
Measuring range:	from 50 m to 12000 m
Measuring accuracy:	+/- 5 m

Electro-Optical Turret



Weight: 80 Kg

Power Supply Unit

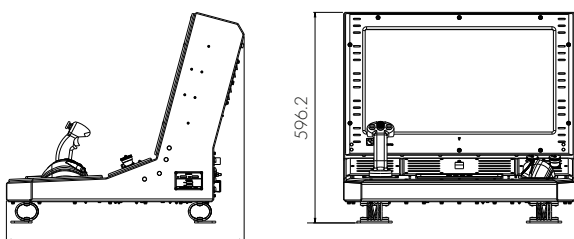


Dimensions in mm

Weight: 11 Kg

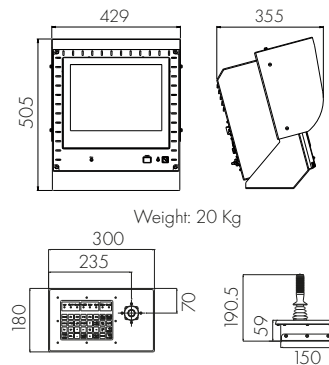
Available Console Configurations

24" console



Weight: 44 Kg

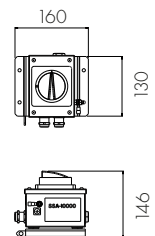
15" display



Weight: 20 Kg

Weight: 2 Kg

Safety Switch



Weight: 1.5 Kg

